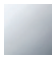






36 860 811



- 160mm projection
- fixed spout
- rectangular, air-enriched flow
- hole diameter spout 37 mm
- hole diameter single-lever mixer 57 mm
- rosette for mixer 80 x 80mm
- max. flow 4.5 l/min
- lead-free
- This product can help a building meet the requirements of Green Building Rating Systems, e.g. LEED®, BREEAM®, DGNB

|   |                                   |               |
|---|-----------------------------------|---------------|
|  | Chrome                            | 36 860 811-00 |
|  | Brushed Platinum                  | 36 860 811-06 |
|  | Dark Chrome                       | 36 860 811-19 |
|  | Brushed Durabronze<br>(23kt Gold) | 36 860 811-28 |
|  | Brushed Dark<br>Platinum          | 36 860 811-99 |

**Required miscellaneous**

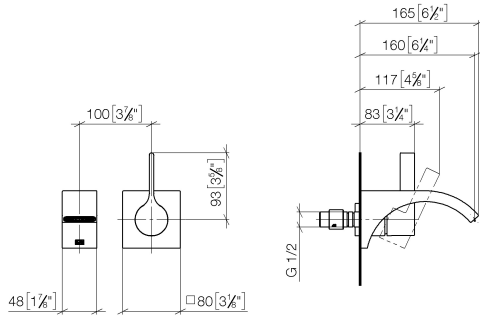


**Concealed wall-mounted single-lever mixer -** 35 860 970 90

- max. recess depth 95 mm
- min. recess depth 80 mm

36 860 811

mm [inches]



Flow rate chart

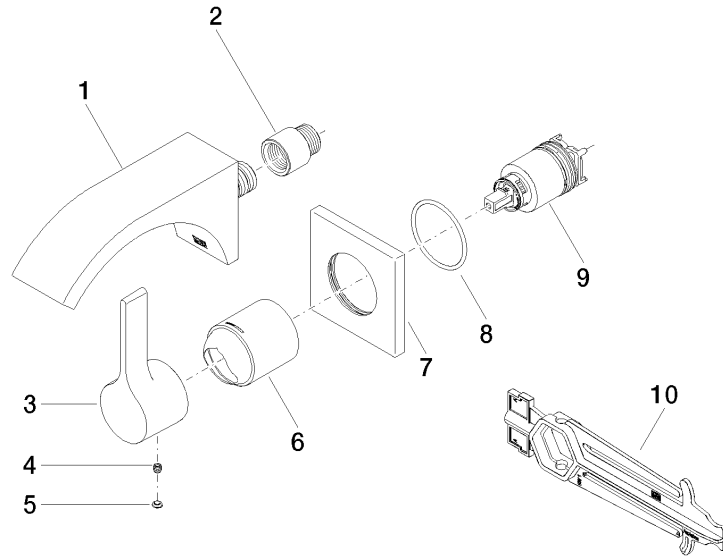


Certificates

IAPMO\_N-4976 (2). WRAS\_2107047. IAPMO\_8834 (2). IAPMO\_6397 (2). IAPMO\_4976 (1).

LGA\_38122.

36 860 811



### Spare parts list

| No. | Item Number        | Name   | Quantity used | Delivery time |
|-----|--------------------|--|---------------|---------------|
| 1   | 13 800 811-00      | CYO Wall-mounted basin spout without pop-up waste - Chrome | 1             | 10            |
| 2   | 09 24 03 072 10 90 | nipple   | 1             | 2             |
| 3   | 09 20 80 021-00    | handle   | 1             | 10            |
| 4   | 90 31 11 030 00 90 | pin  | 1             | 2             |
| 5   | 90 31 20 087 00-00 | plug   | 1             | 10            |
| 6   | 09 11 02 288-00    | cover  | 1             | 10            |
| 7   | 09 27 78 039-00    | rosette  | 1             | 10            |
| 8   | 90 14 10 049 00 90 | seal   | 1             | 2             |
| 9   | 90 15 05 064 01 90 | cartridge  | 1             | 2             |
| 10  | 90 30 09 064 00 90 | key  | 1             | 2             |